



CR0063

FITTING INSTRUCTIONS FOR CR0063BK OFFSET COTTON REELS
KTM DUKE 125, RC125 & RC390 '17-

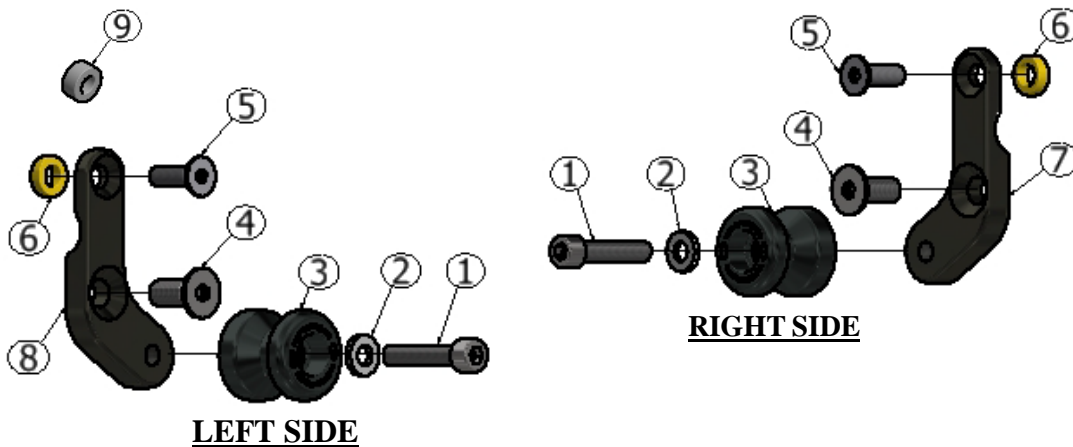
Page | 1



THIS KIT CONTAINS THE ITEMS PICTURED AND LABELLED BELOW.
DO NOT PROCEED UNTIL YOU ARE SURE ALL PARTS ARE PRESENT.
Please note that the way the kit is packed does not necessarily represent the way of mounting to the bike

THE PARTS SHOWN MAY BE REPRESENTATIVE ONLY (FOR CLARITY OF INSTRUCTIONS ONLY)

FOR KTM DUKE 125 2017-



LEGEND

- ITEM 1 = M8 x 40mm LONG CAP HEAD BOLTS (x2).
- ITEM 2 = M8 WASHERS (x2).
- ITEM 3 = COTTON REEL BOBBIN (B0443 with CS300) (x2).
- ITEM 4 = M10 x 25mm LONG COUNTERSUNK BOLT (x2)
- ITEM 5 = M8 x 25mm LONG COUNTERSUNK BOLT (x2)
- ITEM 6 = SPACER 5mm LONG (S1035) (x2)
- ITEM 7 = MOUNTING BLOCK RHS (M0518) (x1)
- ITEM 8 = MOUNTING BLOCK LHS (M0517) (x1)
- ITEM 9 = SPACER 8mm LONG (S1036) (x1)

R&G Racing

Unit 1, Shelley's Lane, East Worldham, Alton, Hampshire, GU34 3AQ

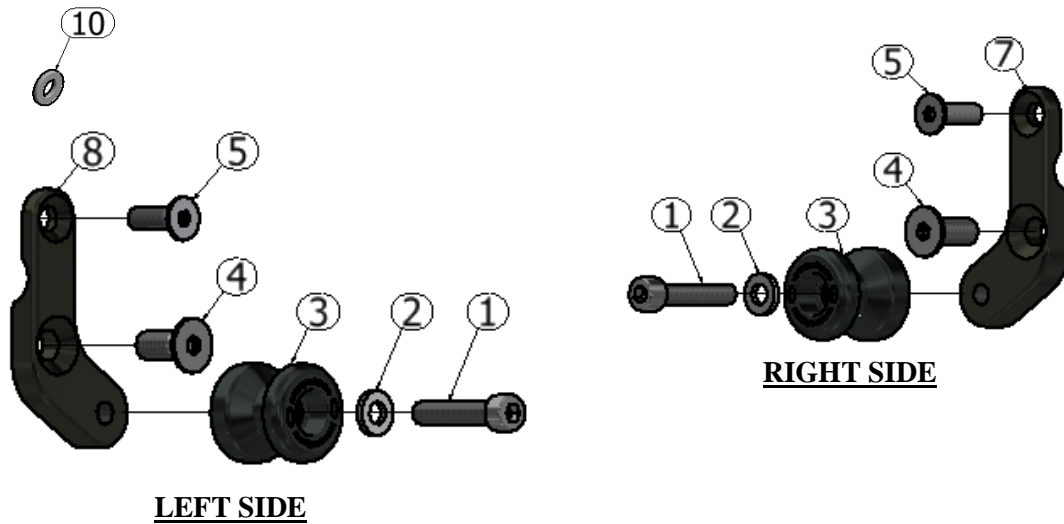
Tel: +44 (0)1420 89007 Fax: +44 (0)1420 87301 www.rg-racing.com Email: info@rg-racing.com



CR0063

FOR KTM RC 125/ 390 2017-

Page | 2



LEGEND

- ITEM 1 = M8 x 40mm LONG CAP HEAD BOLTS (x2).
- ITEM 2 = M8 WASHERS (x2).
- ITEM 3 = COTTON REEL BOBBIN (B0443 with CS300) (x2).
- ITEM 4 = M10 x 25mm LONG COUNTERSUNK BOLT (x2)
- ITEM 5 = M8 x 25mm LONG COUNTERSUNK BOLT (x2)
- ITEM 7 = MOUNTING BLOCK RHS (M0518) (x1)
- ITEM 8 = MOUNTING BLOCK LHS (M0517) (x1)
- ITEM 10 = SPACER 3mm LONG (S0693) (x1)

Please note that in cases where kits are packed with rubber washers holding the components onto the bolt – *the rubber washers should be thrown away!*

TOOLS REQUIRED

- Set of Metric Allen keys to include 6mm A/F.
 - 36mm A/F socket & wrench.
- Torque wrench to be used at manufactures recommended Torque settings.
 - Paddock stand.

GENERAL TORQUE SETTINGS

- M4 BOLT = 8Nm
- M5 BOLT = 12Nm
- M6 BOLT = 15Nm
- M8 BOLT = 20Nm
- M10 BOLT = 40Nm

R&G Racing

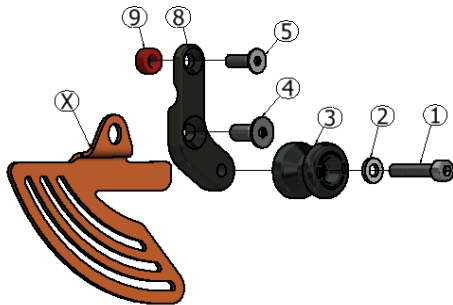
Unit 1, Shelley's Lane, East Worldham, Alton, Hampshire, GU34 3AQ
Tel: +44 (0)1420 89007 Fax: +44 (0)1420 87301 www.rg-racing.com Email: info@rg-racing.com



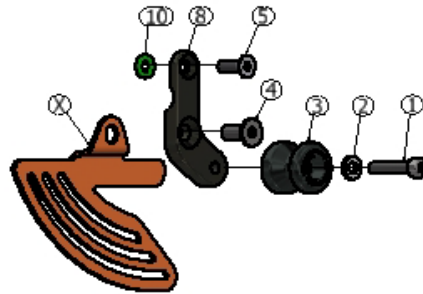
CR0063

Please read all instructions before commencing fitting

Page | 3



PICTURE 1



PICTURE 2

FITTING INSTRUCTIONS

- Starting from the LHS, take one of the bobbins (Item 3), Insert an M8 bolt (Item 1) with an M8 washer (Item 2) from the front face of the bobbin (face with a logo).
- Locate the bobbin assembly to the threaded hole on the LHS mounting block (Item 8). Locate the bobbin assembly from the front face of the mounting block (face with two tapered holes). Loosely fit the bobbin assembly to the mounting block.
- Repeat the procedure to the RHS mounting block.

FOR KTM DUKE 125 2017:-

- Offer the LHS mounting block assembly towards the LHS swing arm, align the two holes to the threaded holes on the swinging arm. Locate one 5mm Thick spacer behind the top mount of the mounting block and secure using an M8 countersunk bolt (Item 5) from the kit. Do not fully tighten the bolt at this stage.
- Align the lower mount and secure using M10 countersunk bolt (Item 4) from the kit. Tighten the two bolts just fitted to a specified torque setting.
- Repeat the procedure for the RHS mounting block.
- If using R&G Toe Guard (TG0011), 8mm thick spacer (Item 9) needs to be used instead of the 5mm thick one on the LHS. Shown in Picture 1.
- Tighten both bobbin's bolts to a specified torque setting.

FOR KTM RC125/ 390 2017:-

- Offer the LHS mounting block assembly towards the LHS swing arm, align the two holes to the threaded holes on the swinging arm.
- Loosely fit an M8 countersunk bolt (Item 5) to the top mount.
- Fit the remaining M10 countersunk bolt (Item 4) to the lower mount and evenly tighten both bolts just fitted to a specified torque setting.
- Repeat the procedure to the RHS mounting block.
- If using R&G Toe Guard (TG0011), a 3mm thick spacer (Item 10) needs to be located behind the top mount of LHS mounting block. Shown in Picture 2.
- Tighten both bobbin's bolts to a specified torque setting.

Digital copies of these instructions are available to download from www.rg-racing.com

R&G Racing

Unit 1, Shelley's Lane, East Worldham, Alton, Hampshire, GU34 3AQ

Tel: +44 (0)1420 89007 Fax: +44 (0)1420 87301 www.rg-racing.com Email: info@rg-racing.com



CR0063

ISSUE 1 19/06/2017 (HH)

CONSUMER NOTICE

The catalogue description and any exhibition of samples are only broad indications of the Products and R&G may make design changes which do not diminish their performance or visual appeal and supplying them in such state shall conform to the order. The Buyer acknowledges no representation or warranty (other than as to title) has been given or will apply to the Products other than those in R&G's order or confirmation and the Buyer confirms it has chosen the Products as being of merchantable quality and suitable for its particular purposes. Where R&G fits the Products or undertakes other services it shall exercise reasonable skill and care and rectify any fault free of charge unless the workmanship has been disturbed. The Buyer is responsible for ensuring that the warranty on the motorcycle is not affected by the fitting of the Products. On return of any defective Products R&G shall at its option either supply a replacement or refund the purchase money but shall not be liable if the Products have been modified or used or maintained otherwise than in accordance with R&G's or manufacturer's instructions and good engineering practice or if the defect arises from accident or neglect. Other than identified above and subject to R&G not limiting its liability for causing death and personal injury, it shall not be liable for indirect or consequential loss and otherwise its liability shall be limited to the amounts paid by the Buyer for the Products or the fitting or service concerned. These terms do not affect the Buyer's statutory rights.

Page | 4

R&G RACING RETURNS POLICY (NON-FAULTY GOODS)

Returns must be pre-authorized (if not pre-authorized the return will be rejected). Goods may only be returned direct to us if they were purchased direct from us (customer must prove if necessary). Otherwise to be returned to original vendor. Goods must be in re-sellable condition, in the opinion of R&G Racing. All returns are subject to a 25% restocking and handling fee (25% of the gross value exc. P&P – at the prevailing price at time of purchase). The customer must pay any and all carriage charges. No returns of discontinued products, unless within 14 days of purchase. This policy does not affect your statutory rights and does not refer to faulty goods.

R&G Racing

Unit 1, Shelley's Lane, East Worldham, Alton, Hampshire, GU34 3AQ

Tel: +44 (0)1420 89007 Fax: +44 (0)1420 87301 www.rg-racing.com Email: info@rg-racing.com



CR0063

NOTICE DE MONTAGE POUR CR0063BK
BOBINES DE BEQUILLE DE STAND
KTM DUKE 125, RC125 & RC390 '17-

Page | 5

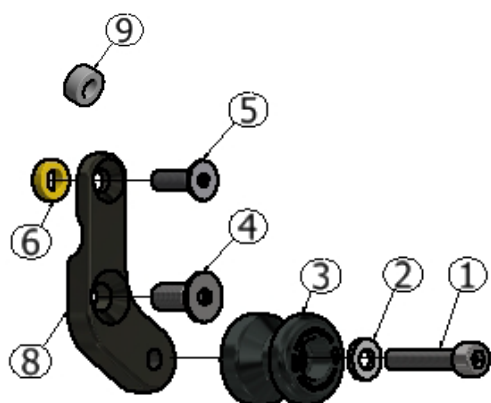


LE KIT CONTIENT LES ARTICLES EXPOSES CI-DESSOUS, VERIFIER QUE TOUTES LES PIECES SOIENT PRESENTES AVANT DE PROCEDER AU MONTAGE.

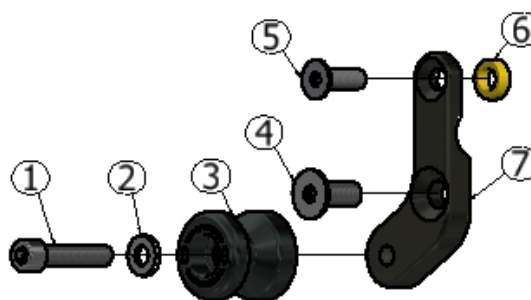
LA FAÇON DONT LE KIT EST EMBALLE NE CORRESPOND PAS FORCEMENT A LA FAÇON DE MONTER LES PIECES SUR LA MOTO.

LES PARTIES PRESENTEES PEUVENT ETRE UNIQUEMENT REPRESENTATIVES
(POUR LA CLARTE DES INSTRUCTIONS UNIQUEMENT)

POUR KTM DUKE 125 2017-



COTE GAUCHE



COTE DROIT

LEGENDE

- ARTICLE 1 = M8 x 40mm BOULONS (x2).
- ARTICLE 2 = M8 RONDELLES (x2).
- ARTICLE 3 = BOBINES (B0443 with CS300) (x2).
- ARTICLE 4 = M10 x 25mm BOULON (x2)

R&G Racing

Unit 1, Shelley's Lane, East Worldham, Alton, Hampshire, GU34 3AQ

Tel: +44 (0)1420 89007 Fax: +44 (0)1420 87301 www.rg-racing.com Email: info@rg-racing.com

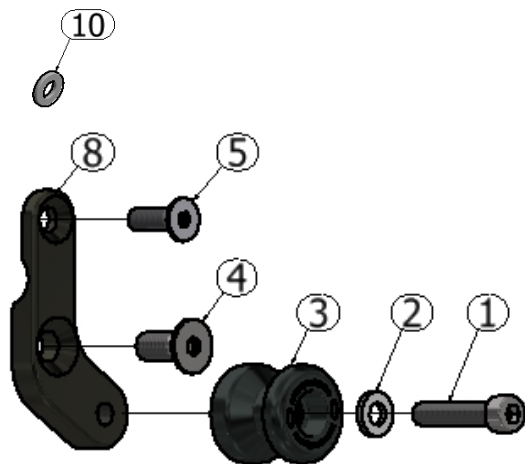


CR0063

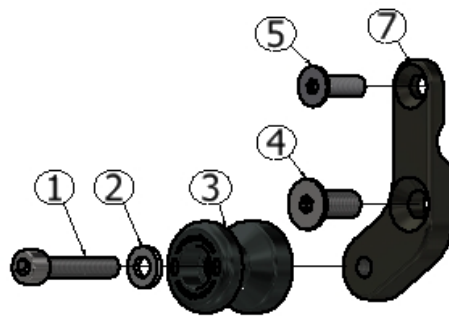
- ARTICLE 5 = M8 x 25mm BOULON (x2)
- ARTICLE 6 = 5mm ENTRETOISE (S1035) (x2)
- ARTICLE 7 = BLOC DE MONTAGE COTE DROIT (M0518) (x1)
- ARTICLE 8 = BLOC DE MONTAGE COTE GAUCHE (M0517) (x1)
- ARTICLE 9 = 8mm ENTRETOISE (S1036) (x1)

Page | 6

POUR KTM RC 125/ 390 2017-



COTE GAUCHE



COTE DROIT

LEGEND

- ARTICLE 1 = M8 x 40mm BOULONS (x2).
- ARTICLE 2 = M8 RONDELLES (x2).
- ARTICLE 3 = BOBINE (B0443 avec CS300) (x2).
- ARTICLE 4 = M10 x 25mm BOULON (x2)
- ARTICLE 5 = M8 x 25mm BOULON (x2)
- ARTICLE 7 = BLOC DE MONTAGE COTE DROIT (M0518) (x1)
- ARTICLE 8 = BLOC DE MONTAGE COTE GAUCHE (M0517) (x1)
- ARTICLE 10 = 3mm ENTRETOISE (S0693) (x1)

Notez que si les kits sont emballés avec des rondelles en caoutchouc servant à tenir les composants, *ces rondelles doivent être jetées !*

OUTILS REQUIS

- Clé Allen 6mm.
- Clé à cliquet + douille de 36mm.
- Clé dynamométrique, à utiliser selon les valeurs préconisées.
 - Béquille de stand.

VALEURS DE SERRAGE :

M4 BOULON = 8Nm

R&G Racing

Unit 1, Shelley's Lane, East Worldham, Alton, Hampshire, GU34 3AQ

Tel: +44 (0)1420 89007 Fax: +44 (0)1420 87301 www.rg-racing.com Email: info@rg-racing.com



CR0063

M5 BOULON = 12Nm
M6 BOULON = 15Nm
M8 BOULON = 20Nm
M10 BOULON = 40Nm

Page | 7

Lire la notice avant de procéder au montage :

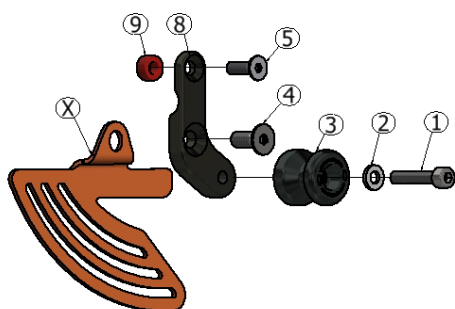


PHOTO 1

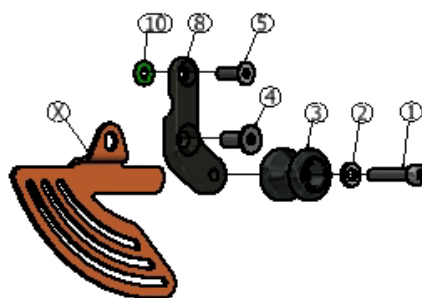


PHOTO 2

NOTICE DE MONTAGE

- En partant du côté gauche, prendre une des bobines (Article 3), insérer un boulon M8 (Article 1) avec une rondelle M8 (Article 2) depuis la face avant de la bobine (la face avec un logo).
- Placer l'assemblage de bobine sur le trou fileté du bloc de montage du côté gauche (Article 8). Placer l'ensemble de la bobine depuis la face avant du bloc de montage (La face avec les 2 trous coniques). Installer l'ensemble de la bobine sur le bloc de montage.
- Répéter l'opération pour le bloc de montage du côté droit.

POUR LA KTM DUKE 125 2017-:

- Monter l'ensemble du bloc de montage côté gauche contre le bras oscillant du côté gauche, aligner les 2 trous sur le bras oscillant. Placer une entretoise 5mm derrière le bloc de montage et fixer avec un boulon M8 (Article 5) du kit. Ne pas serrer complètement le boulon pour le moment.
- Aligner le support inférieur et fixer en utilisant un boulon M10 (Article 4) du kit. Serrer les 2 boulons tout juste insérés selon les valeurs de serrage préconisées.
- Répéter l'opération pour le bloc de montage du côté droit.
- Si vous utilisez la protection de pieds R&G (TG0011), vous devez utiliser une entretoise 8mm (Article 9) au lieu d'une entretoise 5mm du côté gauche. Voir photo 1.
- Serrer les 2 boulons de bobine selon les valeurs de serrage recommandées.

POUR LA KTM RC125/ 390 2017-:

- Monter l'ensemble du bloc de montage du côté gauche contre le bras oscillant du côté gauche aligner les 2 trous aux trous filetés du bras oscillant.
- Insérer un boulon M8 (Article 5) dans le support supérieur.
- Insérer le boulon M10 restant (Article 4) dans le support inférieur et serrer les 2 boulons de façon identique, selon les valeurs de serrage préconisées. Répéter l'opération pour le bloc de montage du côté droit.
- Si vous utilisez la protection de pieds R&G (TG0011), vous devez placer une entretoise (Article 10) derrière le support supérieur du bloc de montage du côté gauche. Voir photo 2.

R&G Racing

Unit 1, Shelley's Lane, East Worldham, Alton, Hampshire, GU34 3AQ

Tel: +44 (0)1420 89007 Fax: +44 (0)1420 87301 www.rg-racing.com Email: info@rg-racing.com



CR0063

- Serrer les 2 boulons de bobine selon les valeurs de serrage recommandées.

Notice disponible au téléchargement sur www.rg-racing.com

Page | 8

ISSUE 1 19/06/2017 (HH)

CONSUMER NOTICE

The catalogue description and any exhibition of samples are only broad indications of the Products and R&G may make design changes which do not diminish their performance or visual appeal and supplying them in such state shall conform to the order. The Buyer acknowledges no representation or warranty (other than as to title) has been given or will apply to the Products other than those in R&G's order or confirmation and the Buyer confirms it has chosen the Products as being of merchantable quality and suitable for its particular purposes. Where R&G fits the Products or undertakes other services it shall exercise reasonable skill and care and rectify any fault free of charge unless the workmanship has been disturbed. The Buyer is responsible for ensuring that the warranty on the motorcycle is not affected by the fitting of the Products. On return of any defective Products R&G shall at its option either supply a replacement or refund the purchase money but shall not be liable if the Products have been modified or used or maintained otherwise than in accordance with R&G's or manufacturer's instructions and good engineering practice or if the defect arises from accident or neglect. Other than identified above and subject to R&G not limiting its liability for causing death and personal injury, it shall not be liable for indirect or consequential loss and otherwise its liability shall be limited to the amounts paid by the Buyer for the Products or the fitting or service concerned. These terms do not affect the Buyer's statutory rights.

R&G RACING RETURNS POLICY (NON-FAULTY GOODS)

Returns must be pre-authorized (if not pre-authorized the return will be rejected). Goods may only be returned direct to us if they were purchased direct from us (customer must prove if necessary). Otherwise to be returned to original vendor. Goods must be in re-sellable condition, in the opinion of R&G Racing. All returns are subject to a 25% restocking and handling fee (25% of the gross value exc. P&P – at the prevailing price at time of purchase). The customer must pay any and all carriage charges. No returns of discontinued products, unless within 14 days of purchase. This policy does not affect your statutory rights and does not refer to faulty goods.

R&G Racing

Unit 1, Shelley's Lane, East Worldham, Alton, Hampshire, GU34 3AQ

Tel: +44 (0)1420 89007 Fax: +44 (0)1420 87301 www.rg-racing.com Email: info@rg-racing.com